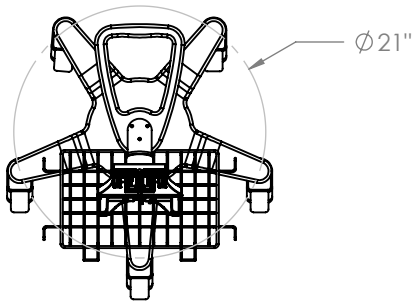
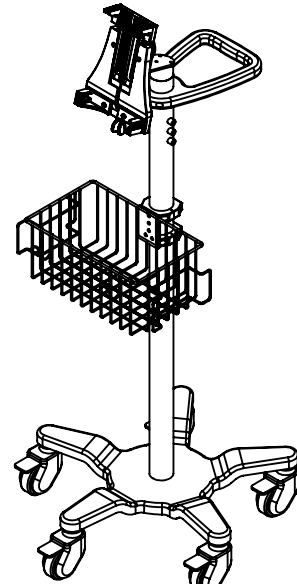


SPEC DRAWING

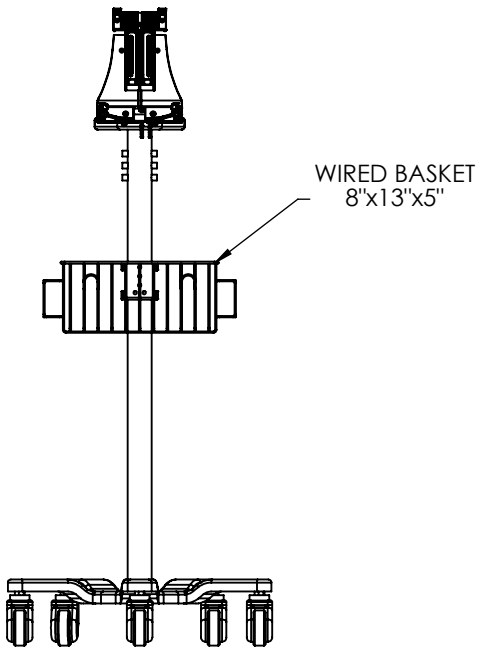


TOP VIEW



(5) 3" COVERED CASTERS - LOCKING

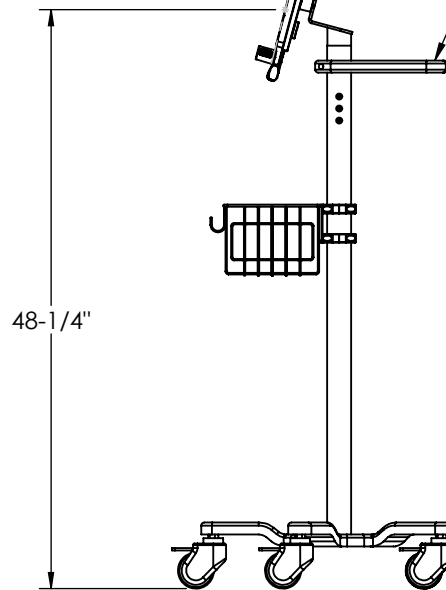
ISOMETRIC VIEW



FRONT VIEW

ADJUSTABLE/ LOCKABLE
TABLET MOUNT

PULL HANDLE



SIDE VIEW

PROPRIETARY AND CONFIDENTIAL

THE INFORMATION CONTAINED IN THIS DRAWING IS THE SOLE PROPERTY OF FIRST HEALTHCARE PRODUCTS. ANY REPRODUCTION IN PART OR AS A WHOLE WITHOUT THE WRITTEN PERMISSION OF FIRST HEALTHCARE PRODUCTS IS PROHIBITED.



DESCRIPTION:

MOV-IT TABLET ROLL STAND ECONOMY

SIZE

A

CART NO.

MOVITTRSE

REV

-

WEIGHT: 25 LBS.

SHEET 1 OF 1